

# Stamford Gearheads



# Super Mileage Car

# Stamford



# Gearheads

## Team Members

Curtis Lack

Luka Medic

Randy Nicholls

Connor Wilkinson

Dylan Hardwick

Cameron Lafreniere

Joey Coens

## With Guidance of

Mr. Letourneau

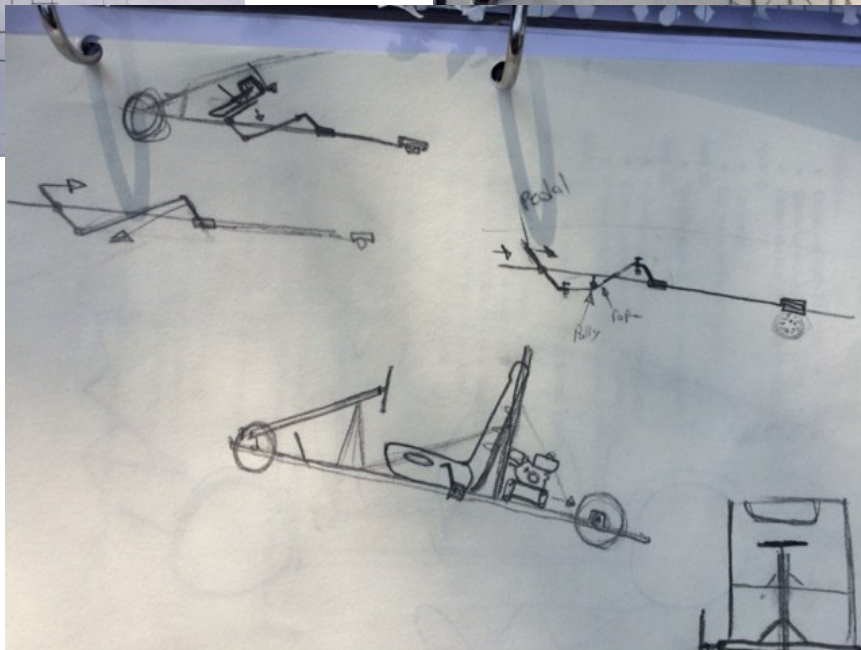
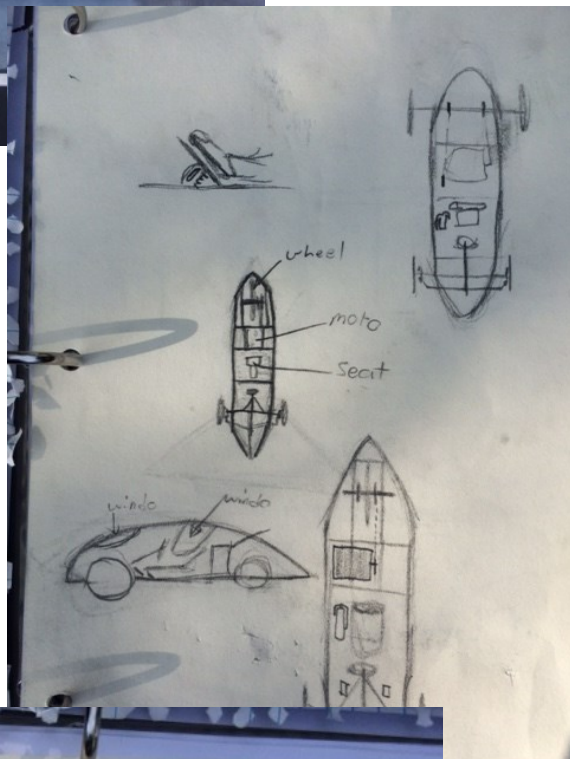
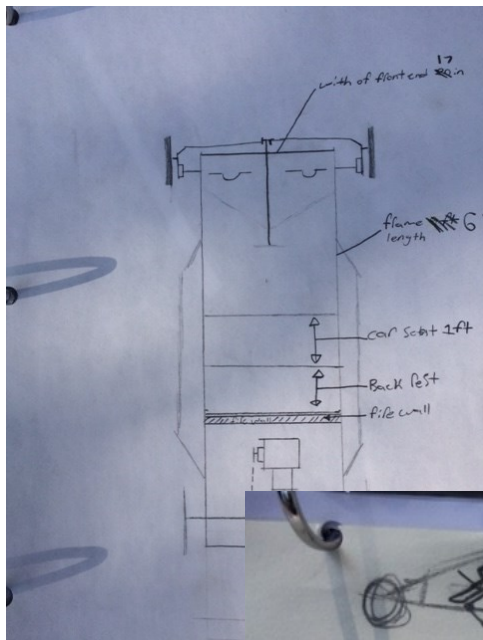
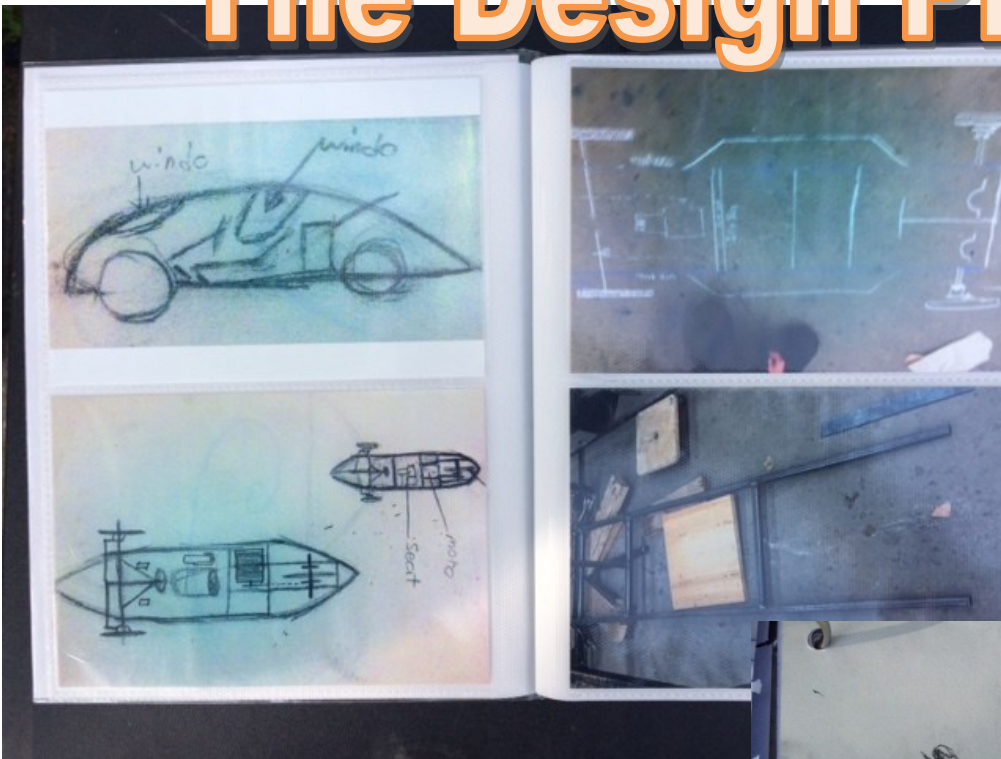
Mr. Clark

Mark Johnson

# Photo Journal



# The Design Phase

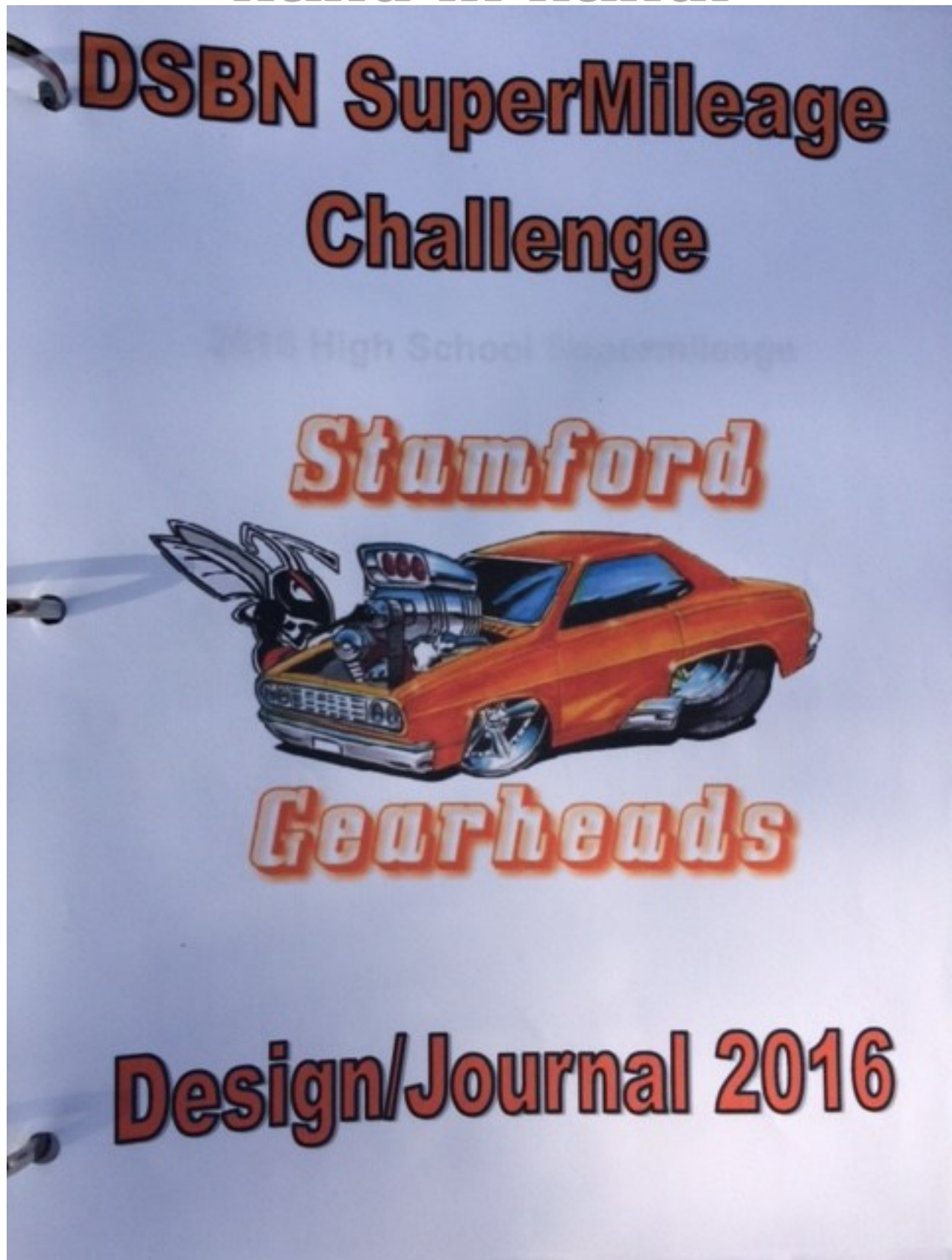








**Auto & Literacy can go  
hand in hand!**





# SuperMileage Journal 2016

April 13-15-

- Curtis and Luka discussed their ideas!
- Came up with a bunch of designs
- Chose the best one, then designed it in 3d on the computer

April 18-

- Got metal
- Cut our main frame pieces

April 19-

- Tack Welded all of our frame together

April 20-

- Fully Welded the whole frame together
- Started searching online for steering ideas
- Printed pictures and brainstormed steering ideas

April 21-

- Made our steering bar out of square tubing

April 22-

- Got out steering wheel
- Mocked it up for a vision
- Decided which tubing to use for steering column
- Decided the tubing for steering rod
- Made the steering tie rod ends

April 25-

- Cut the steering column support
- Cut the steering column
- Got bolts for tie rod ends
- Drilled the holes to attach the steering to the main frame

April 26-

- Welded the steering column support to the steering column
- Used the lathe to machine a round piece to attach to the steering wheel
- Got our race seat
- Bolted the steering and main frame together

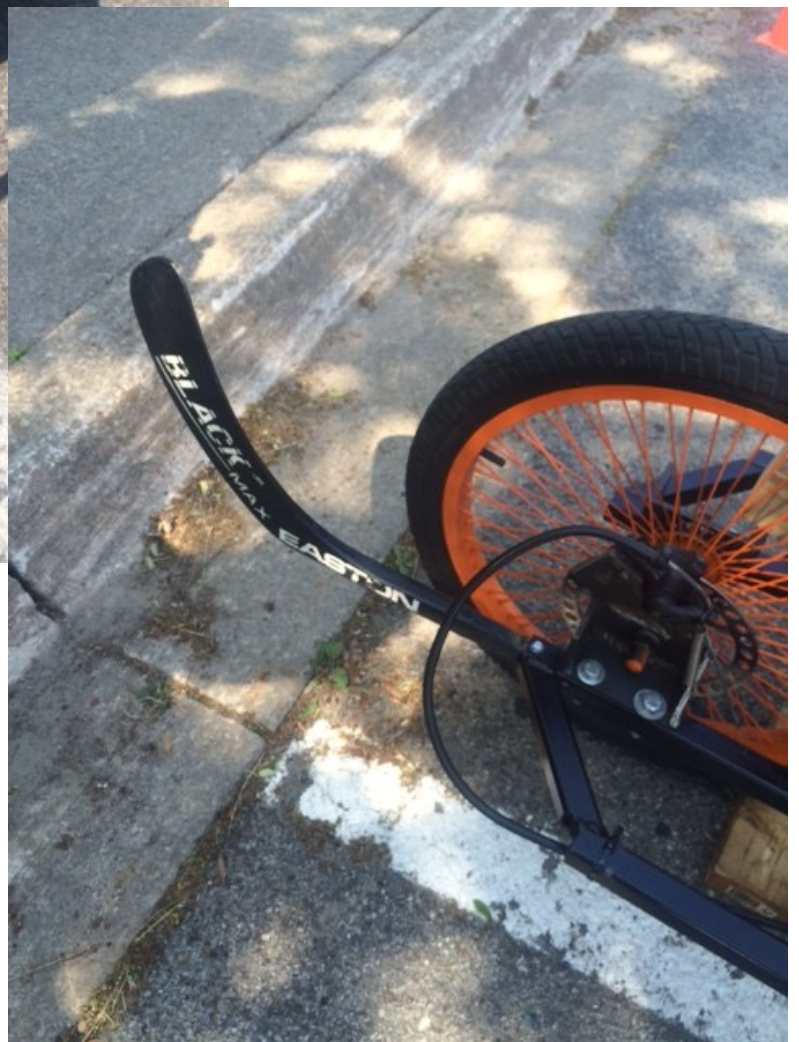
April 27-

- Machined a hole into the steering rod
- Welded the round piece to the steering rod
- Fixed and shortened the bolts for the tie rod ends

April 28-

- Used the lathe to shave off the excess weld on the steering rod
- Tack Welded the seat brackets

# Tribute to Gordie Howe!







**Congratulations**  
**Placed Silver!!**